

Model Number

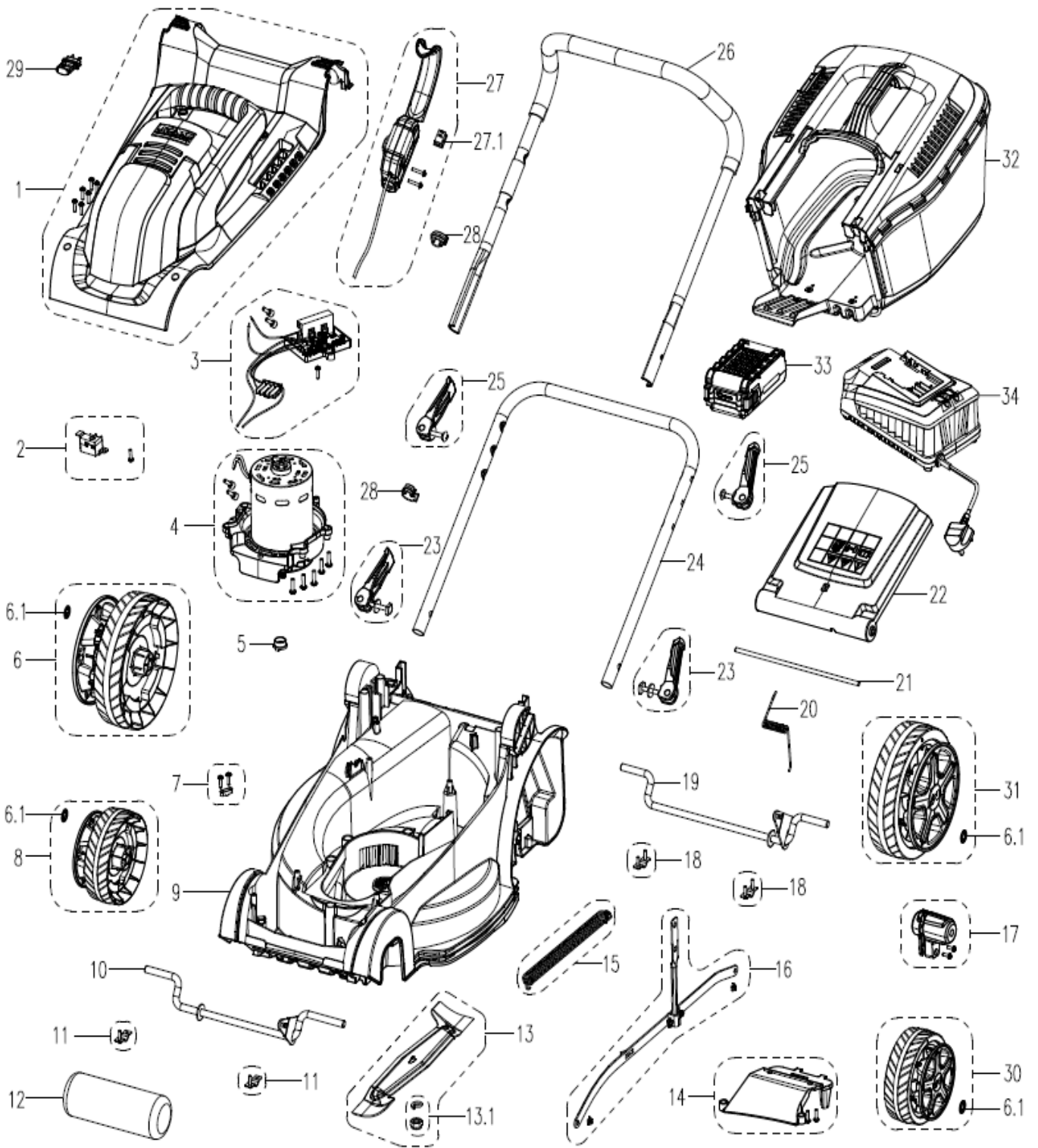
Mac Allister MLM3635-Li-3



36V Cordless Lawnmower

Parts Manual

Exploded Diagram



Parts List

Part ID	Apelson PN	MPN	Part Description	Qty
1	211055101	211055101	MOTOR COVER ASSEMBLY	1
2	211055102	211055102	KEY CASE COVER ASSEMBLY	1
3	211055103	211055103	PCB BOARD ASSEMBLY	1
4	211055104	211055104	MOTOR ASSEMBLY	1
5	211012128	211012128	LOCATING RING	1
6	111054102	111054102	RIGHT WHEEL ASSEMBLY (200MM)	1
6.1	111054104	111054104	WHEEL AXLE RING	4
7	551008111	551008111	CABLE CLAMP ASSEMBLY	1
8	111054105	111054105	RIGHT WHEEL ASSEMBLY (140MM)	1
9	111170104	111170104	DECK ASSEMBLY	1
10	111054108	111054108	FRONT AXLE ASSEMBLY	1
11	111005114	111005114	FRONT WHEEL SHAFT CLAMP ASSEMBLY	2
12	211055105	211055105	BALLAST	1
13	211055106	211055106	BLADE ASSEMBLY	1
13.1	111170107	111170107	WASHER ASSEMBLY	1
14	111170110	111170110	DECK BOTTOM PROTECT PLATE ASSEMBLY	1
15	111035144	111035144	SPRING ASSEMBLY	1
16	111054118	111054118	ADJUSTMENT CONNECTING ASSEMBLY	1
17	111170109	111170109	ADJUSTMENT HANDLE ASSEMBLY	1
18	111035109	111035109	WHEEL SHAFT CLAMP ASSEMBLY	2
19	111054109	111054109	REAR AXLE ASSEMBLY	1
20	111018102	111018102	SAFETY DOOR SPRING	1
21	111036120	111036120	SHAFT OF SAFETY DOOR	1
22	111170112	111170112	SAFETY DOOR	1
23	211055112	211055112	QUICK CLAMP/LOCKING LEVER	2
24	111054112	111054112	LOWER HANDLE	1
25	211055107	211055107	QUICK CLAMP/LOCKING LEVER	2
26	211055108	211055108	UPPER HANDLE ASSEMBLY	1
27	211055109	211055109	SWITCH BOX ASSEMBLY	1
27.1	111177124	111177124	SWITCH	1
28	111170115	111170115	CABLE CLIPS	2
29	111194104	111194104	KEY ASSEMBLY	1
30	111054107	111054107	LEFT WHEEL ASSEMBLY (140MM)	1
31	111054117	111054117	LEFT WHEEL ASSEMBLY (200MM)	1
32	211055110	211055110	COMPLETE REDI-BAG ASSEMBLY	1
33	211055111	211055111	BATTERY	2
34	111329101	111329101	CHARGER	1